



Aluminium Architectural Systems



Button Corner Cleats

Features & Benefits



Easy Assembling

Allows easy assembly of large-sized products in a construction site environment



Quick Fabrication

Button corner cleats shorten the manufacturing/assembly time



Logistics and Cost Advantage

Products suitable for button corner cleats, which can be shipped as profile, offer logistical and cost advantages

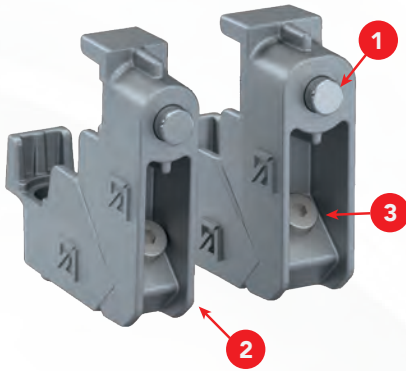
Usage

The button corner cleats are specially designed for use with suitable profiles of our RWT 55 and RWT 64 systems.*

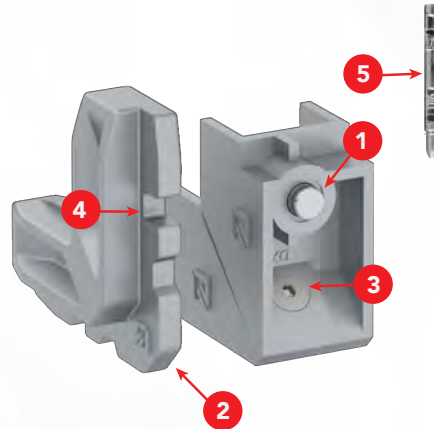
* It adapts to 80% of the relevant profiles. You can contact our technical team for profiles suitable for use.

Button Corner Cleats Details

Frame Button Corner Cleat



Sash Button Corner Cleat



- 1- Easy assembly is provided by moving the pins thanks to the springs in the cleat.
- 2- Both corner cleats are specially designed to work with suitable ASAŞ system profiles.
- 3- Easily fixed with allen screws
- 4- Fixing is made by using single pin cracking product for sash profiles.
- 5- Pin \varnothing 3 mm

Button Corner Cleat
Fabrication Video



Pin Cracking
Fabrication



ASAŞ Alüminyum Sanayi ve Ticaret A.Ş.

Headquarters

Rüzgarlı Bahçe Mah., Kumlu Sok., No: 2
Asaş İş Merkezi, 34810 Kavacık
Beykoz - İstanbul, Türkiye
T +90 216 680 07 80 F +90 216 680 07 81

asastr.com

asasarchitecture.com.tr

ASAS GmbH

Rasselsteiner Str. 101
56564 Neuwied, Deutschland
T +49 (0) 2631 90209-20
F +49 (0) 2631 90209-11